



27 cu. ft. French Door Refrigerator

KRFF507H



Stainless Steel with PrintShield™ Finish
KRFF507HPS

Also available in:

- White **KRFF507HWH**
- Black **KRFF507HBL**
- Black Stainless Steel with PrintShield™ Finish **KRFF507HBS**

Key Features & Benefits

ExtendFresh™ Temperature Management System

Separately monitors the temperatures in the refrigerator and freezer.

Pull Out Tray

Ideal space to store large platters of appetizers and then access them with ease.

FreshChill™ Temperature-Controlled Full-Width Pantry

A manual temperature setting lets you maintain the freshness of a variety of ingredients.

Capacity

Total Capacity 27 cu. ft.

Refrigerator Capacity 19 cu. ft.

Freezer Capacity 8 cu. ft.

General Features & Properties

In-Door-Ice® System

2-Tier Freezer Drawer with Storage Dividers

Metallic Accents on Shelf Trim

SatinGlide® Crispers and Pantry

Humidity Controlled Crispers

Measured Water Fill

Through-the-Door Ice and Water Dispenser

Slide-Away Split Shelf

Electrical Details

Amps 15

Volts 115

Certifications

ENERGY STAR® Certified Yes

Technical Details

Refrigerator Type French Door

Number of Doors 3

Number of Interior Refrigerator Shelves 5

Number of Refrigerator Door Bins 3 Adjustable, 2 Fixed

Number of Interior Freezer Shelves 2 Plastic

Number of Freezer Door Bins 1 Pizza Pocket

Lighting Type LED

Ice Maker Factory Installed

Ice Maker Location Refrigerator Door

Dispenser Type Exterior Ice and Water

Dimensions

Product Dimensions (H x W x D) 69-7/8" x 35-11/16" x 36-5/8"

Depth with Door Open 90° 48"

Cutout Dimensions Allow extra 1/2" on sides and top
Allow extra 1" on rear

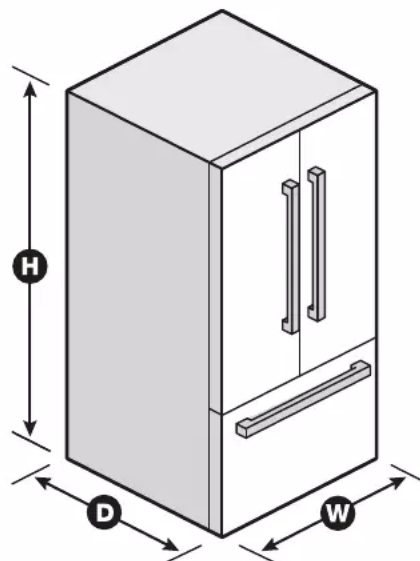
Reference Material

[Dimension Guide](#)

[Use & Care Guide](#)

[Energy Guide](#)

[Warranty](#)



NOTE: Dimensions are for planning purposes only. For complete details, see Installation Instructions packed with product. Specifications subject to change without notice.

®/™ © 2020. All rights reserved. Printed in the U.S.A. D200052XXC. KRFF507HSPECSHEETV01.

