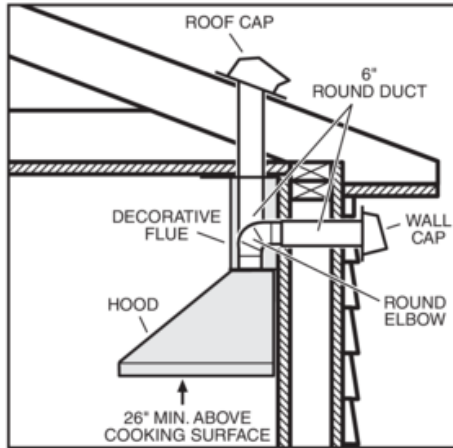
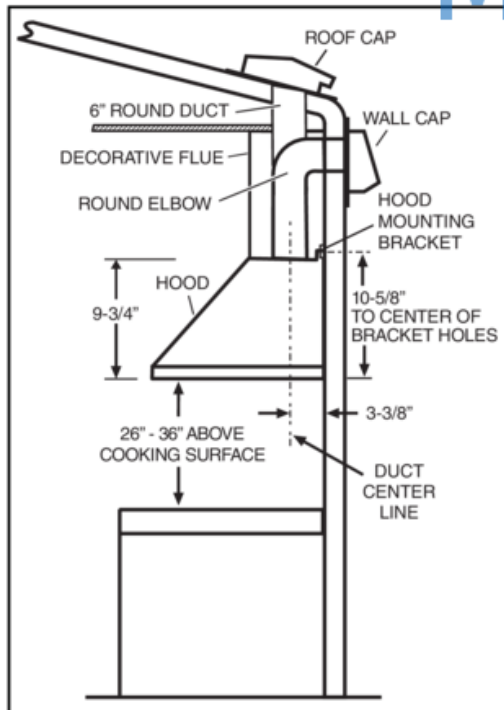


INSTALL THE DUCTWORK (Ducted Hoods Only)

1. Decide where the ductwork will run between the hood and the outside.
2. A straight, short duct run will allow the hood to perform most efficiently.
3. Long duct runs, elbows and transitions will reduce the performance of the hood. Use as few of them as possible. Larger ducting may be required for best performance with longer duct runs.
4. Install wall cap or roof cap. Connect round metal ductwork to cap and work back towards the hood location. Use duct tape to seal the joints between ductwork sections.



MEASURE THE INSTALLATION



The minimum hood distance above cooktop MUST NOT BE LESS than 26".

A maximum of 36" above cooktop is highly recommended for best capture of cooking impurities.

Distances over 36" are at the installer and users discretion; providing that the ceiling height permits.

PREPARE THE HOOD

Unpack hood and check contents. You should receive:

- 1 - Hood
- 1 - Decorative Flue Assembly
- 2 - Damper Flaps
- 1 - Lower Flue Mounting Bracket
- 1 - Upper Flue Mounting Bracket
- 1 - Hood Mounting Bracket
- 2 - Aluminum Grease Filters for 24" and 30" wide hoods, (BWP1 series, included packaged in a cardboard box)
- 3 - Aluminum Grease Filters for 36" wide hood (BWP1 series, included packaged in a cardboard box)
- 2 - Hybrid Baffle Filters for 24" and 30" wide hoods, (BWP2 series, included packaged in a cardboard box)
- 3 - Hybrid Baffle Filters for 36" wide hood (BWP2 series, included packaged in a cardboard box)
- 1 - Installation Manual
- 1 - Parts Bag containing:
 - 6 - Mounting Screws (no. 8 x 3/8" Pan Head)
 - 7 - Mounting Screws (no. 8 x 1-1/2" Flat Head)
 - 7 - Drywall Anchors
 - 2 - Washers

